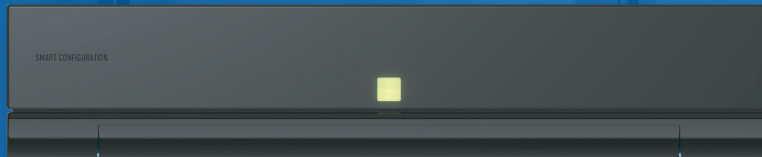


ELITE PRO LE / ELITE PRO

# ELITE PRO SERIES

Active Infrared Door Sensor  
for Low Energy Swing Doors

*For detection of moving or stationary people in the swing path of doors*



## ELITE PRO LE

For low energy single door  
Package: (1) sensor & (1) controller

## ELITE PRO

For low energy double doors  
Package: (2) sensor & (1) controller

The ELITE PRO LE and ELITE PRO are safety sensors for low energy swing doors. The included Wi-Fi controller ensures quick and easy sensor set-up. The sensor can also be mounted on either the left or right leaf. The controller of this device contains an auto-learning system that can identify the operator's detection input type, test input, sensor installation positions, and swing or approach side. The unit starts the learning process and sets up the essential configurations with just one touch of the setup button.

Simple setup and one-push quick setting reduce setup time and free door installers from challenging settings.



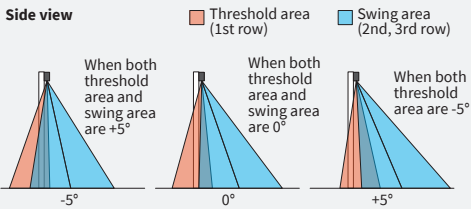
## Features & Benefits

### Full Time Presence Detection

The advantage of the door-mounted Elite Pro is that the presence detection stays on even when the door is in motion.

### Large & Adjustable Detection Area Ensuring Safety

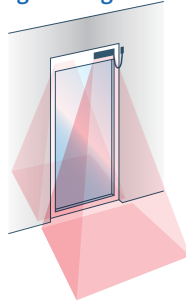
The Elite Pro has a large detection area which can detect beyond the normal area around the moving part of the door. The sensor creates a layer of awareness around the door to ensure safety.



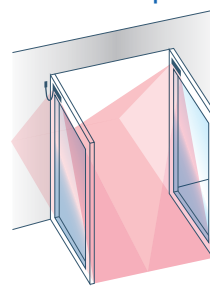
### Knowing Act Doors

This system satisfies the requirement for secondary activation sensor. No additional activation sensor required.

### Single swing



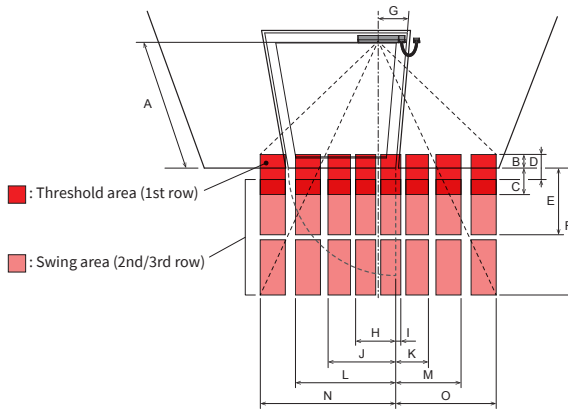
### Simultaneous pair



- Low Energy Single Door
- Low Energy Double Doors
- Full Energy Single Door
- Full Energy Double Doors (Simultaneous pair & Double egress)

### Full Detection Pattern

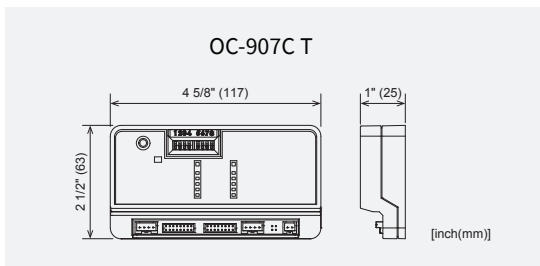
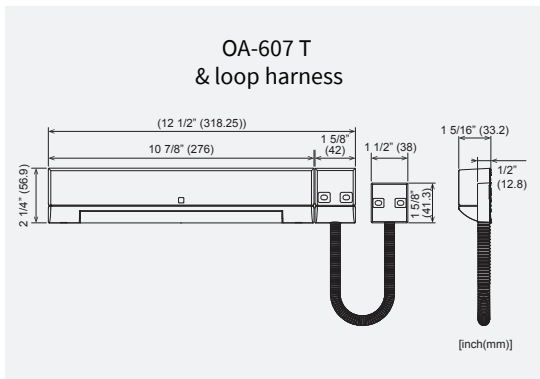
The Elite Pro provides a full detection pattern that covers the entire swing of the doors in full open and full close position, there is no need for an overhead safety sensor.



Value dimensions for each door angle

Angle	Door fully closed	
A	6'7" (2000)	7'6" (2300)
B	7" (186)	8" (214)
C	1'2" (360)	1'4" (414)
D	6" (152)	7" (175)
E	2'9" (840)	3'2" (966)
F	5'5" (1650)	6'2" (1898)
G	10" (252)	-
H	1'11" (593)	2'1" (645)
I	3" (89)	6" (141)
J	3" (911)	3'4" (1010)
K	1'4" (407)	1'8" (506)
L	4'2" (1275)	4'8" (1428)
M	2'6" (770)	3' (924)
N	5'6" (1684)	6'3" (1900)
O	3'10" (1180)	4'7" (1395)

## Dimensions



## Specifications

<b>Door in use</b>	Swing type automatic doors
<b>Product lineup</b>	ELITE PRO (OA-607 T × 2, OC-907C T × 1): For Double Low Energy or Single Full Energy ELITE PRO2 (OA-607 T × 4, OC-907C T × 1): For Double Full Energy ELITE PRO LE (OA-607 T × 1, OC-907C T × 1): For Single Low Energy
<b>Usage location</b>	OA-607 T: Indoors, semi-outdoors OC-907C T: Indoors
<b>Mounting location</b>	OA-607 T: Door mount OC-907C T: Header
<b>Supply voltage</b>	12 to 30 VDC
<b>Power consumption</b>	OA-607 T: 1.0 W or less OC-907C T: 3.0 W or less OC × 1 + OA × 4: 5.5 W or less
<b>Detection method</b>	Active infrared reflection (Presence detection type)
<b>Detection area</b>	Threshold area: 8 lines × 1 row Swing area: 8 lines × 2 and 3 rows
<b>Detection angle adjustments</b>	Threshold area: -5 to +5° (inside and outside) Swing area: ±5° (inside and outside)
<b>Operation indicator</b>	See indicator confirmation
<b>Settings</b>	Brower setting tool Dipswitches
<b>Wi-Fi</b>	802.11 b/g/n
<b>Input specifications</b>	Test input: Optocoupler voltage 5 to 30 VDC, current 6 mA max. (30 VDC), no polarity Data input or motor voltage input: 5 to 160 VDC, 5 to 115 VAC, no polarity Knowing act input: Dry contact input Close switch input: Dry contact input
<b>Output specifications</b>	Activation output: Form A relay 50 V, 0.3 A (Resistance load) Stall output: Form B relay 50 V, 0.3 A (Resistance load)
<b>Mounting height</b>	6'7" to 8'2" (2.0 to 2.5 m)
<b>Minimum door speed</b>	2"/s
<b>Response time</b>	< 0.3 s
<b>Operating temperature</b>	-4 to 131°F (-20 to +55°C)
<b>Protection class</b>	OA-607 T: IP44 OC-907C T: IP40
<b>Color</b>	OA-607 T: Black OC-907C T: White
<b>Weight</b>	OA-607 T: 8.2 oz (230 g) OC: 3.7 oz (105 g)

