

FX-360



COST EFFECTIVE PERFECTION

The FX-360 Ceiling Mount Detector with its Unique, Highly, Durable Spherical Lens Offers Unparalleled 360° Detection Performance and Reliability.

The FX-360 is an extremely cost effective 360° ceiling mount detector. It provides the most unbeatable detection performance and reliability in its class. The FX-360's sleek and compact design suits all types of installation applications.

WONDEREX FX-360

FEATURES

■Originally Designed Hard Spherical Lens

The FX-360's hard spherical lens is designed with precision—an original feature that enables this detector to provide reliable detection throughout its 360° area.

■False Alarm Protection

The FX-360 prevents false alarms caused by environmental changes or insensitivity to high temperatures.

- RFI Protection
No alarm at 20V/m from 100MHz. to 1GHz.
- Temperature Protection
No alarm during temperature changes from -4° to +122°F at 3°F/min. (-20° to +50°C at 1.7°C/min.)
- Noise Reduction Circuit.
- Selectable Pulse Count: 2,4.

■Advanced Quality Control

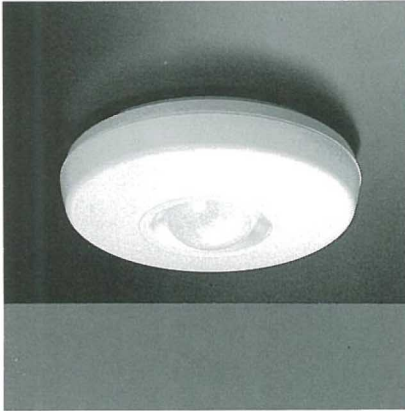
- Computerized S.M.D. Technology
Using robotics to mount miniaturized chip components ensures a smooth and uniform production level of high quality.
- Running Test on every circuit board
All circuit boards sustain a "Burn-in" test for many hours.

■Other Features

- LED On/Off Switch
- Warm-up Indicator

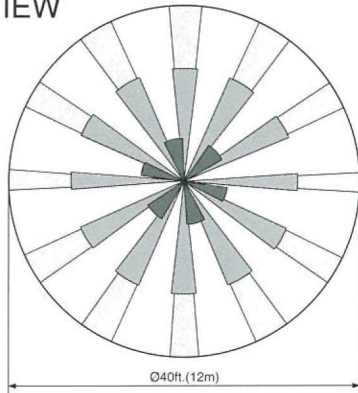
■Versions

- FX-360: Standard
- FX-360V: Alarm Memory and Patented Double Conductive Shielding of Pyro Element

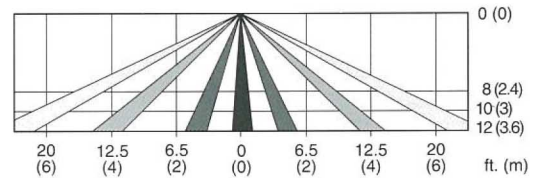


DETECTION PATTERNS

TOP VIEW



SIDE VIEW



Max. Detection AREA

Installation Height ft.(m)	8 (2.4)	10 (3)	12 (3.6)
Detection Area (Diameter) ft.(m)	25 (8)	32 (10)	40 (12)

SPECIFICATIONS

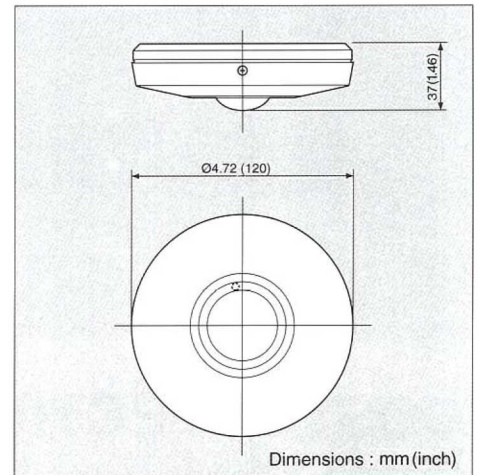
Model	FX-360
Detection method	Passive Infrared
Coverage	ø25ft.~ø40ft.(ø8m~ø12m) Height: 2.4m~3.6m(8ft.~12ft.)
Detection zones	62 zones
Sensitivity	1.6°C(3°F) at 0.6m/sec.(2ft./sec.)
Detectable Speed	0.3~1.5m/sec.(1~5ft./sec.)
LED indicator	LED blinks during warm-up period Alarm indicator optional
Alarm period	2.0±0.5sec.
Alarm output	N.C. 28V DC 0.2A max.
Tamper switch	N.C. Opens when cover removed.
Pulse count	20±5sec. 2 or 4
Warm-up period	Approx. 30sec. (LED blinks)
Power input	9.5~18V DC
Current draw	17mA/(normal) 18mA/(max.)
Weight	140g(4.90oz.)
Operating temperature	-20°C~+50°C(-4°F~+122°F)
Environment humidity	95% max.
RF interference	No Alarm 20 V/m

*Specifications and design are subject to change without prior notice.

NOTE: This unit is designed to detect movement and activate an alarm control panel. Being only a part of a complete system, we cannot assume responsibility for theft or damages, should they occur.

® LISTED: FX-360.

DIMENSIONS



"Take Care of the Environment"
This catalogue uses recycled paper



OPTEx CO., LTD. (ISO 9001 Certified by LRQA)
4-7-5 Nionohama Otsu, 520-0801 Japan
TEL (077) 524-6047 FAX (077) 522-9022
<http://www.optex.co.jp/e/sec/index.html>

OPTEx INCORPORATED
1845W, 205th Street Torrance, CA 90501-1510 U.S.A.
TEL (310) 533-1500 FAX (310) 533-5910
<http://www.optexamerica.com>

OPTEx (EUROPE) LTD. (ISO 9002 Certified by NOA)
Unit 9, Four Seasons Crescent, Sutton, Surrey, SM3 9QR, UK
TEL (02082)542222 FAX (02086)410017
<http://www.optexeurope.com>

No. 75069-02-5438-0302