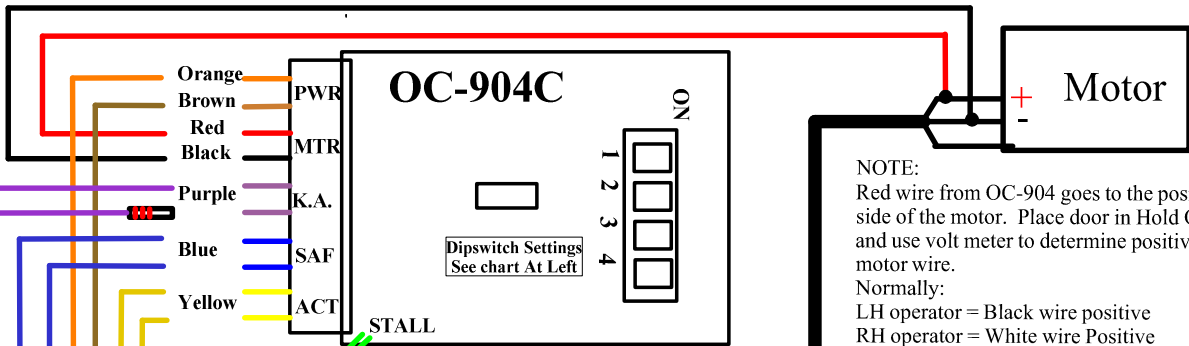


NOTE:
For Knowing Act applications ALL activation devices must connect to the purple wires (N/O dry contact only).

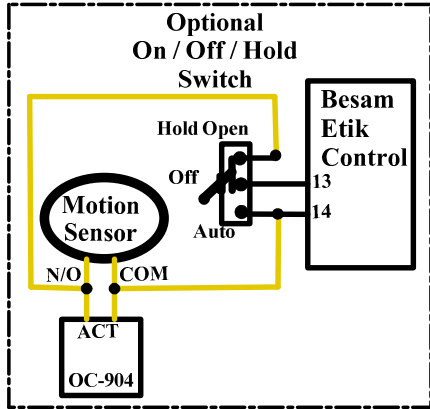


OC-904 Dipswitch Settings Chart		
Dipswitch Settings	OFF	ON
1. Safety Output	N.O.	N.C.
2. Stall Output	N.O.	N.C.
3. Auto / K.A.	Automatic	Knowing Act
4. Future Use		
Fully Automatic		Knowing Act
1. OFF		1. OFF
2. ON		2. ON
3. OFF		3. ON
4. OFF		4. OFF

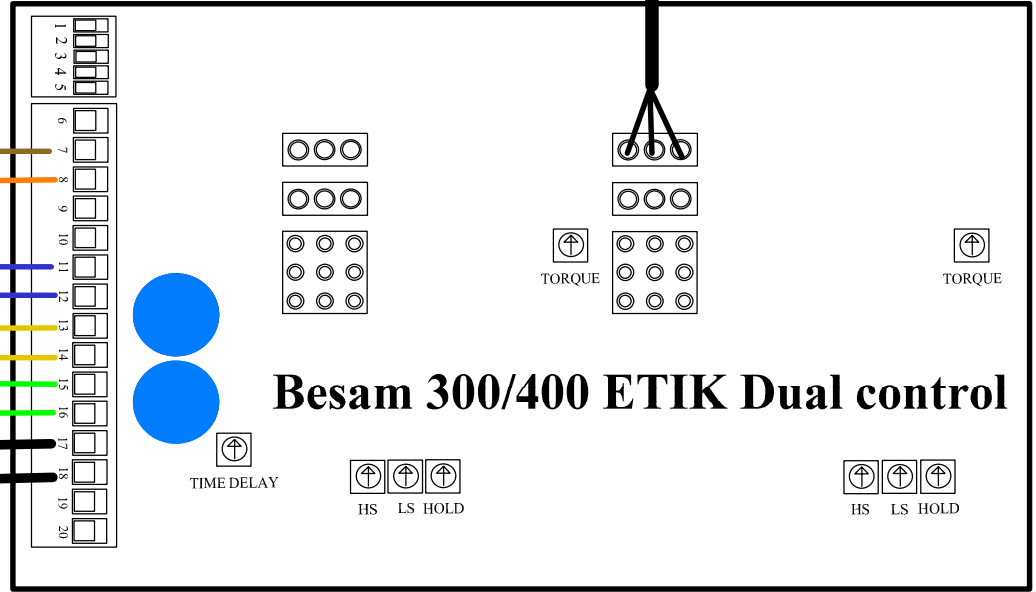


NOTE:
Red wire from OC-904 goes to the positive side of the motor. Place door in Hold Open and use volt meter to determine positive motor wire.
Normally:
LH operator = Black wire positive
RH operator = White wire Positive

Motion Sensor
For Fully Automatic Applications Only



Install Jumper from 17 to 18



- INSTALLATION NOTES**
1. Set door speeds and verify proper door operation prior to final connection of sensors system.
 2. Technician MUST WALK TEST to verify function and detection patterns comply with ANSI/BHMA A156.10 requirements.

Title: Besam 300/400 Single With Elite	Drawing # 01BES300ELI01 Rev 1
Drawing By: JAS	Date: 02-25-08
Sheet: 1 of 1	
Optex Technologies Inc. 3882 Del Amo Blvd., Suite 604, Torrance, CA 90503 Office: (800)877-6656, Fax: (310)214-8655	