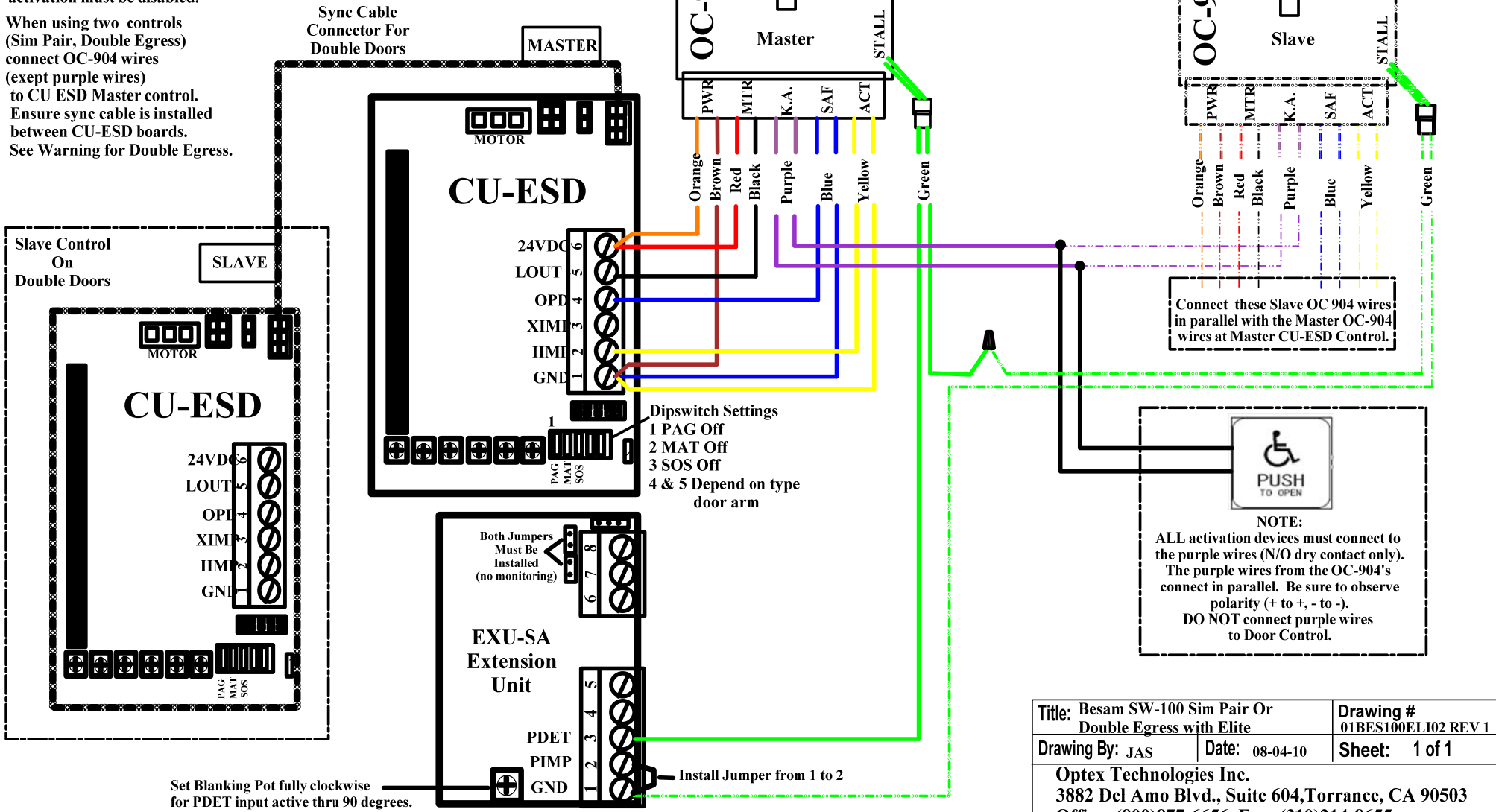


**INSTALLATION NOTES**

1. Set door speeds, force, time delay and verify proper door operation prior to final connection of sensors system.
2. Primary activation must be Knowing Act. If not then technician MUST WALK TEST to verify function and detection patterns comply with ANSI/BHMA A156.10 requirements.
3. On Knowing Act applications, push/pull activation must be disabled.
4. When using two controls (Sim Pair, Double Egress) connect OC-904 wires (except purple wires) to CU ESD Master control. Ensure sync cable is installed between CU-ESD boards. See Warning for Double Egress.

**WARNING!**  
**DOUBLE EGRESS**  
 When modifying the red & black wires of the Besam Sync Cable for Double Egress Applications, Parameter Group 6 must be selected on both Besam controls to ensure proper safety operation.



Set Blanking Pot fully clockwise for PDET input active thru 90 degrees.

**Dipswitch Settings**  
 1 PAG Off  
 2 MAT Off  
 3 SOS Off  
 4 & 5 Depend on type door arm

Both Jumpers Must Be Installed (no monitoring)

Install Jumper from 1 to 2

Connect these Slave OC 904 wires in parallel with the Master OC-904 wires at Master CU-ESD Control.

**NOTE:**  
 ALL activation devices must connect to the purple wires (N/O dry contact only). The purple wires from the OC-904's connect in parallel. Be sure to observe polarity (+ to +, - to -). DO NOT connect purple wires to Door Control.

Title: Besam SW-100 Sim Pair Or Double Egress with Elite		Drawing # 01BES100ELI02 REV 1
Drawing By: JAS	Date: 08-04-10	Sheet: 1 of 1
Optex Technologies Inc. 3882 Del Amo Blvd., Suite 604, Torrance, CA 90503 Office: (800)877-6656, Fax: (310)214-8655		