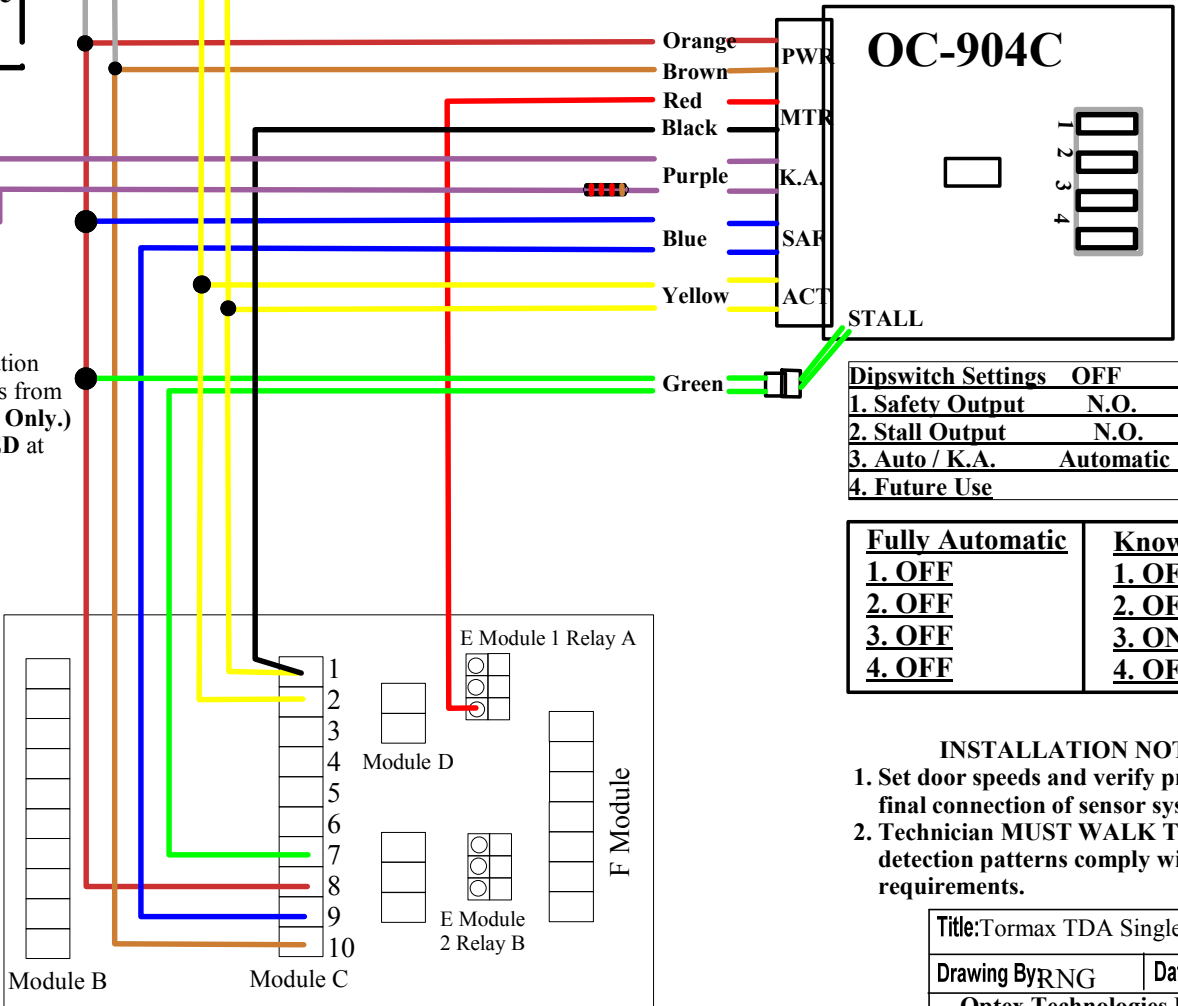


Motion Sensor
For Fully Automatic Applications Only



NOTE:

For Knowing Act applications all activation devices must connect to the purple wires from the OC-904 control (N.O. Dry Contact Only.) Push/Pull activation must be **DISABLED** at the door control.



Dipswitch Settings	OFF	ON
1. Safety Output	N.O.	N.C.
2. Stall Output	N.O.	N.C.
3. Auto / K.A.	Automatic	Knowing Act
4. Future Use		

Fully Automatic	Knowing Act
<u>1. OFF</u>	<u>1. OFF</u>
<u>2. OFF</u>	<u>2. OFF</u>
<u>3. OFF</u>	<u>3. ON</u>
<u>4. OFF</u>	<u>4. OFF</u>

- INSTALLATION NOTES:**
- Set door speeds and verify proper door operation prior to final connection of sensor system.
 - Technician **MUST WALK TEST** to verify function and detection patterns comply with ANSI/BHMA A156.10 requirements.

Title: Tormax TDA Single with Elite	Drawing # 01TORTDAELI01
Drawing By: RNG	Date: 6/17/08
Sheet: 1 of 1	
Optex Technologies Inc. 3882 Del Amo Blvd., Suite 604, Torrance, CA 90503 Office: (800)877-6656, Fax: (310)214-8655	