

INS-QXI-ST

VISUAL VERIFICATION PIR CAMERA

InSight series

<< Contents >>

<p>Before installation</p> <ul style="list-style-type: none"> - Manufacture's statement - Parts identification - Accessories 	<p>Page</p> <p>2</p>
<p>Step 1</p> <p>Installation</p> <ul style="list-style-type: none"> 1-1. Remove the mounting plate 1-2. Install the mounting plate using 2 screws 1-3. Connect cables to the device 1-4. Secure the main body 	<p>3</p>
<p style="text-align: center;">DHCP <i>Enabled</i></p> <p style="text-align: center;"><i>Disabled</i></p> <p>2 IP address settings</p> <p>3 Device registration to CHeKT portal</p>	<p>5</p> <p style="text-align: center; font-size: small;">InSight Camera manual</p> <p style="text-align: center; font-size: x-small;">CHeKT support</p>
<p>4 Camera angle and PIR area settings</p> <ul style="list-style-type: none"> 4-1. Horizontal adjustment 4-2. Vertical adjustment 4-3. PIR/VCA settings 4-4. PIR area masking 4-5. Switch settings 4-6. Put on the back cover 	<p>6</p>
<p>5 Checking</p> <ul style="list-style-type: none"> 5-1. Walk test 5-2. System check 	<p>11</p>
<p>Others</p> <ul style="list-style-type: none"> - Specifications - Dimensions - Detection area - LED indicator - Compliance - How to reset to the factory default 	<p>12</p>

Refer to the InSight Camera manual for details on IP address settings.



InSight Camera manual

<https://navi.optex.net/manual/50426/en/?type=cameramannual>

If you do not have a CHeKT account, request a dealer account by visiting the CHeCK dealer site, before Step 3.



CHeKT dealer

www.chekt.com/registration

Refer to the CHeCK support site for more details.



CHeKT support

<https://support.chekt.com>

- Manufacturer's statement

Symbol

Meaning



Warning

Failure to follow the instructions provided with this indication and improper handling may cause death or serious injury.



Caution

Failure to follow the instructions provided with this indication and improper handling may cause injury and/or property damage.

Symbol

Meaning



Nix sign indicates prohibition.



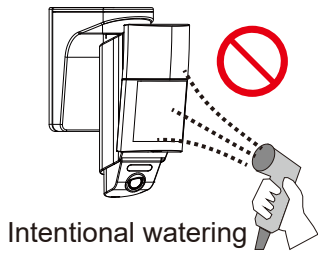
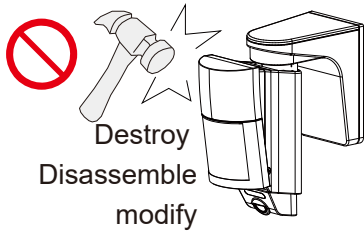
Check mark indicates recommendation.

NOTE

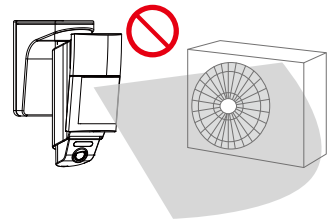
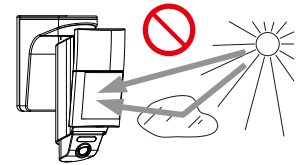
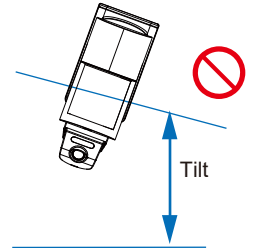
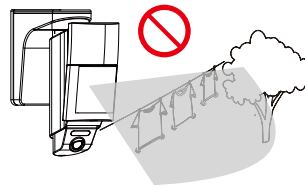
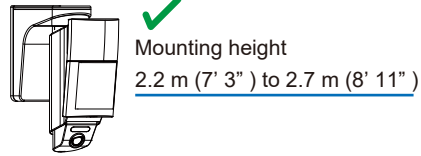
Special attention is required to the section of this symbol.



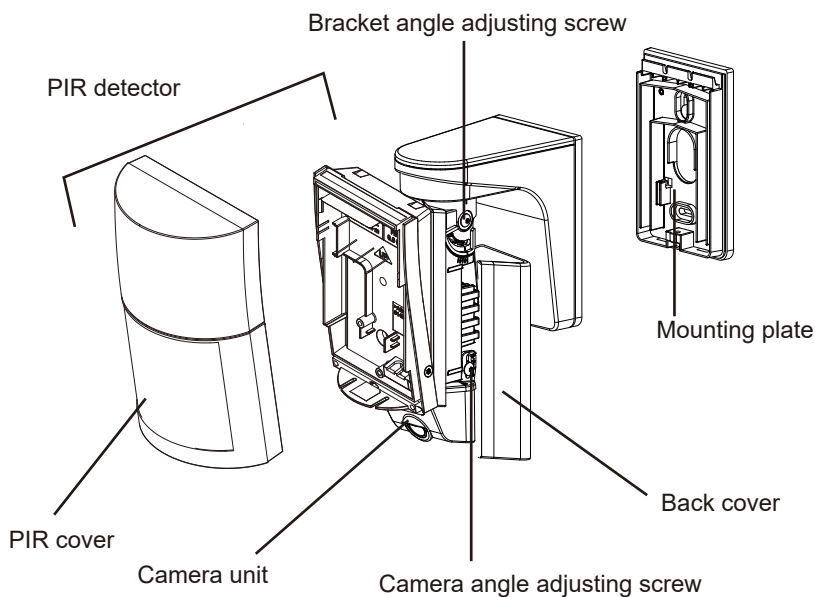
Warning



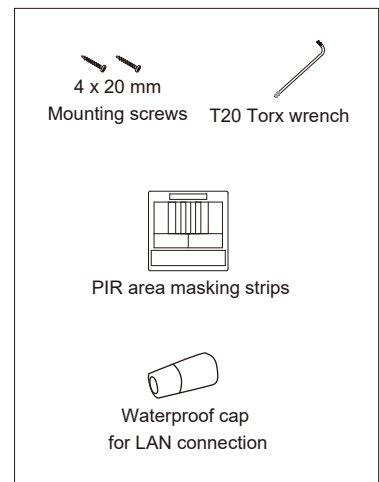
Caution



- Parts identification

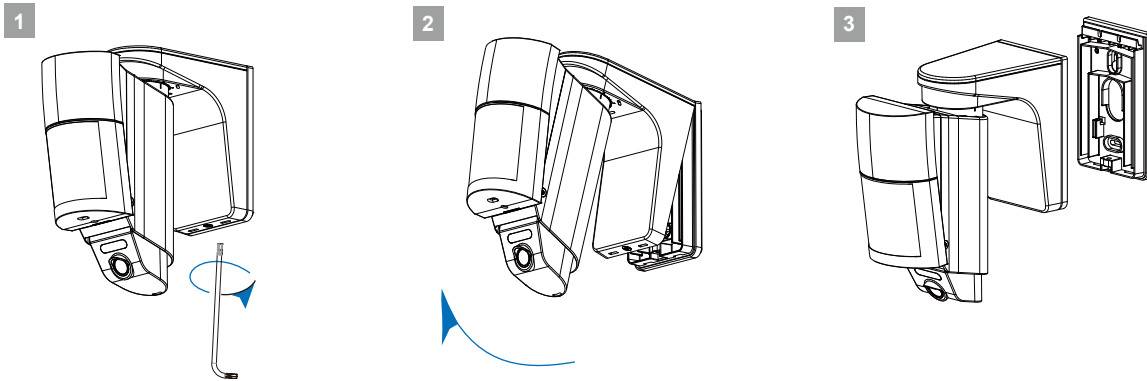


- Accessories

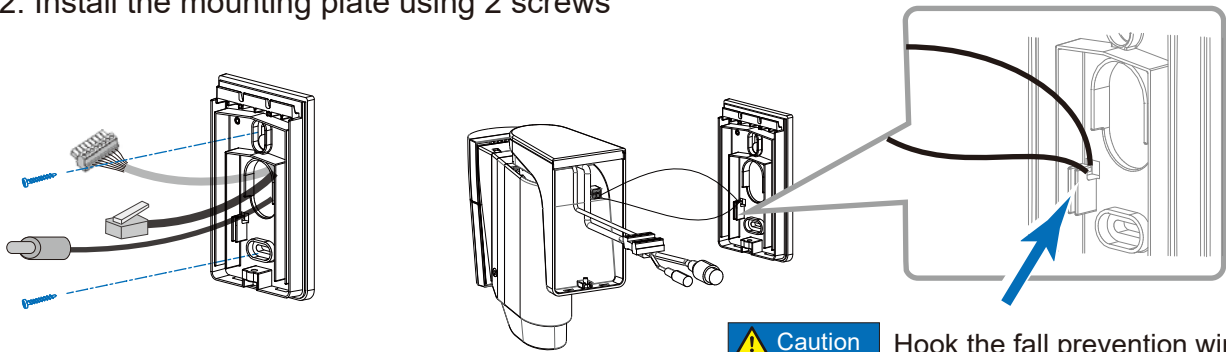


Step 1 Installation

1-1. Remove the mounting plate



1-2. Install the mounting plate using 2 screws

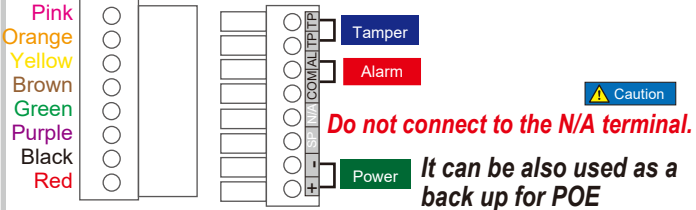


Caution Hook the fall prevention wire.

- NOTE**
- To pass cables through the wall, drill a 25 mm (1") or larger hole in the wall.
 - Use a single gang box for exposed wiring.

1-3. Connect cables to the device.

8-pin I/O cable



NOTE

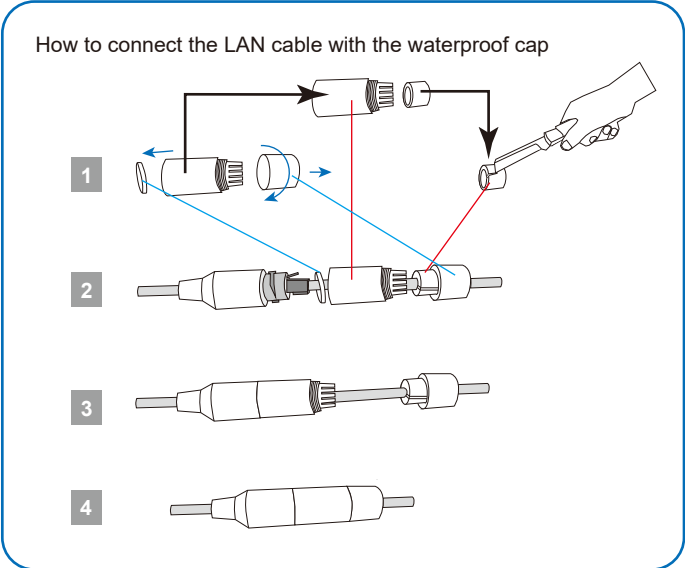
Only the connector can be fixed inside the body with double-sided tape. The LAN connector must be stored in the wall.

DC power cable

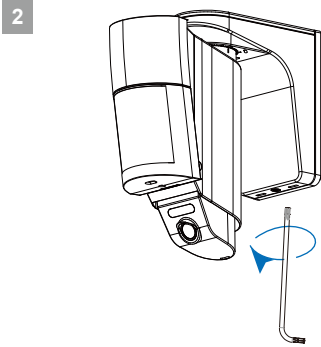
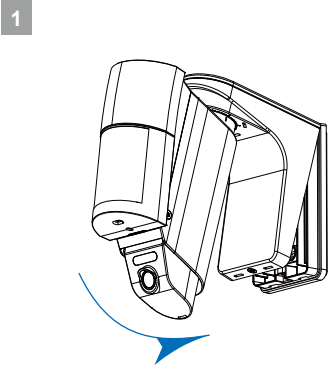
12 V DC power for camera and PIR

PoE LAN cable

Waterproof cap for LAN connection



1-4. Secure the main body



Caution Do not pinch the cable when restoring the PIR detector.

The default network type of InSight is dynamic.
If you have a DHCP server, it will automatically set the InSight.

Step
Jump to **3**



Step

2 IP address settings

If you do not have a DHCP server, it will set as follows after one minute.

Initial address: **Refer to the label on the InSight**

User name: **root**

Default password: **OPTEx**

Change your password as appropriate.



InSight Camera manual

Download IP installer;

<https://navi.optex.net/firmware/50426>

<https://navi.optex.net/manual/50426/en/?type=cameramanual>

Refer to the InSight Camera manual for more details.

Step

3 Device registration to CHeKT portal

Setup your CHeKT Dealer Portal:

1. Go to <http://dealer.chekt.com/> to log in.
2. Select the Customer on the left side of the dashboard.
3. Select the Site Devices tab.
4. Select the bridge device to be associated with the sensor camera.
5. Access the bridge settings using the gear icon to its right.
6. Select the appropriate tab to register the PIR camera.



CHeKT support

Refer to the CHeCK support site for more details.

<https://support.chekt.com>

4 Camera angle and PIR area settings

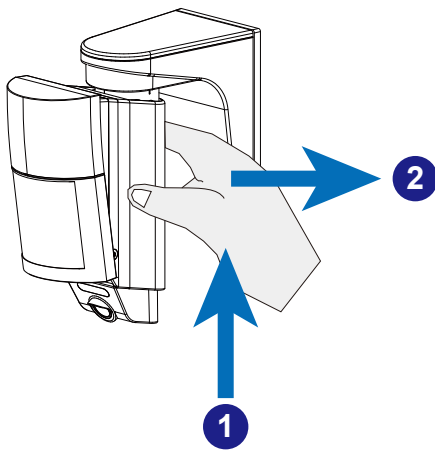
Changing for each item in this step is optional.

Check the default settings and if no changes are required, proceed to the next item.

4-1. Horizontal adjustment

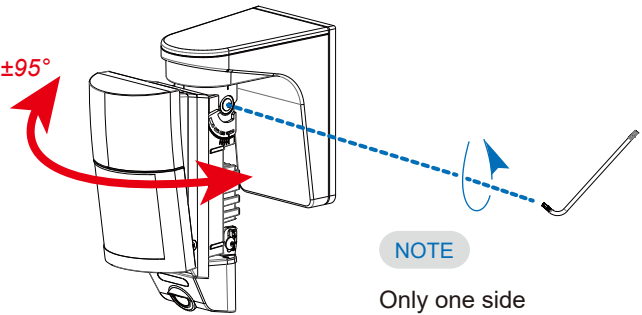
1 Remove the Back cover.

- 1 Raise the Back cover up.
- 2 Pull it back.



2 Adjust PIR area direction

Horizontal $\pm 95^\circ$

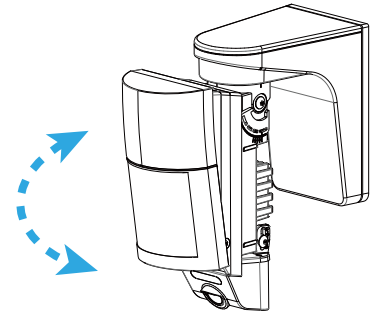


NOTE
Only one side
needs to be loosened.

4-2. Vertical adjustment

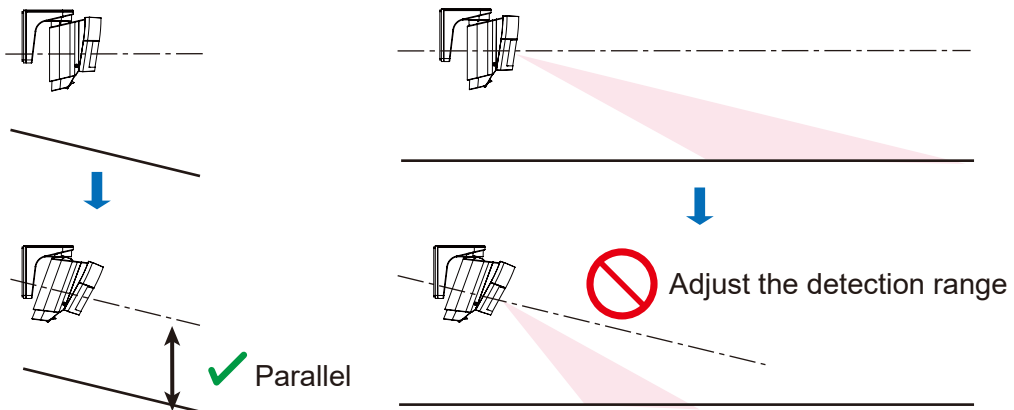
1 PIR area adjustment

Vertical 0° to -20°

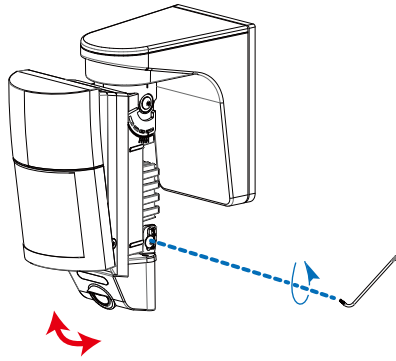


⚠ Caution

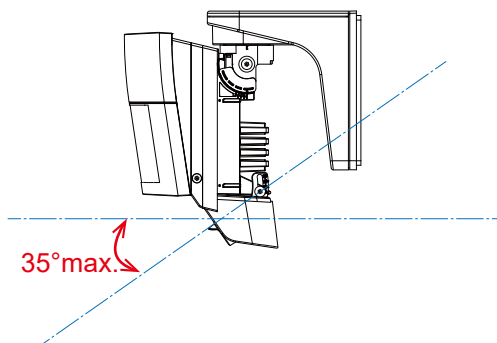
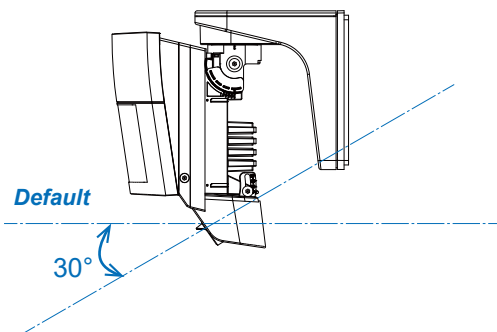
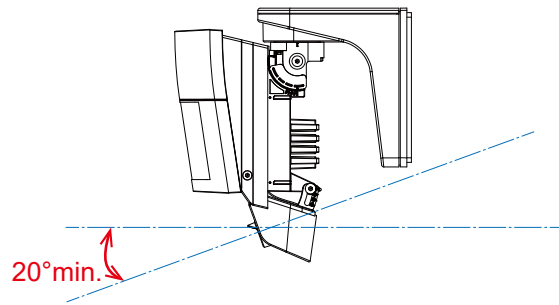
Do not use the vertical angle adjustment of the main unit other than adjusting the detection area surface to be parallel to the ground inclination.



2 Camera angle adjustment



Loosen screws to adjust camera angle
Angle can be adjusted by sliding the camera vertically.

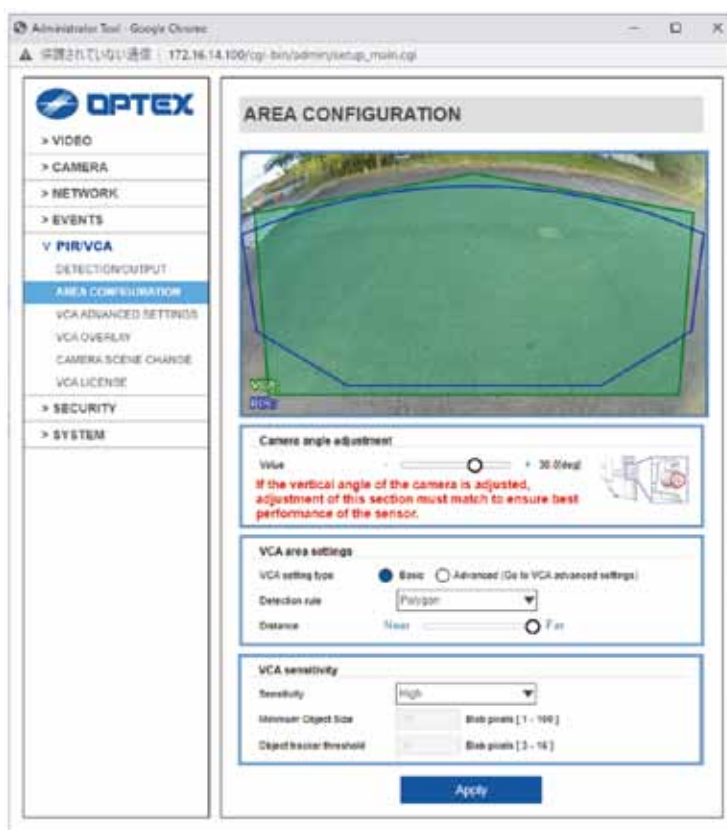


4-3. PIR/VCA settings

Refer to the InSight VCA manual for details on PIR and VCA area settings.



<https://navi.optex.net/manual/50426/en/?type=VCAManual>



Caution

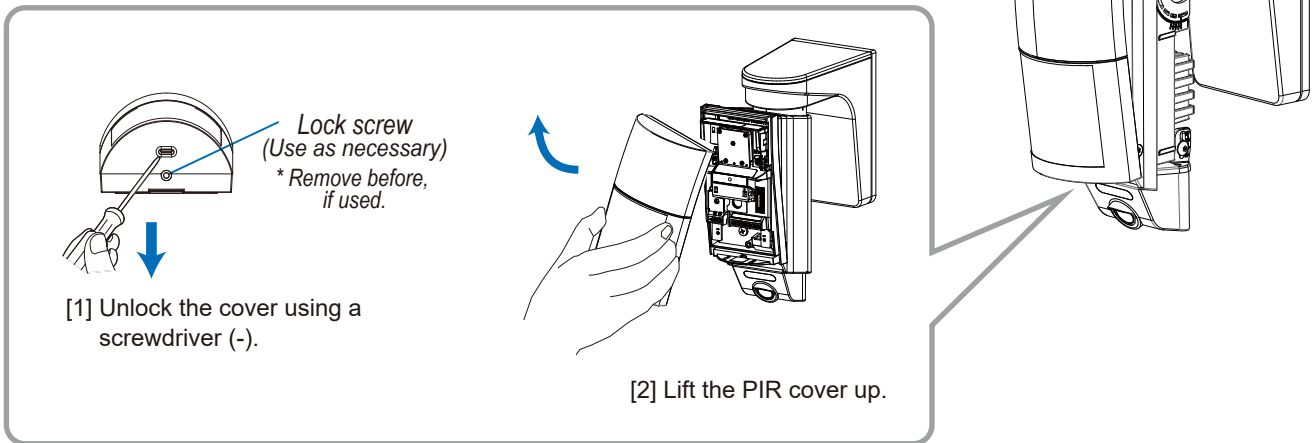
If the vertical angle of the camera is to be adjusted, adjustment of this sections must be matched to ensure the best performance of the sensor.

4-4. PIR area masking

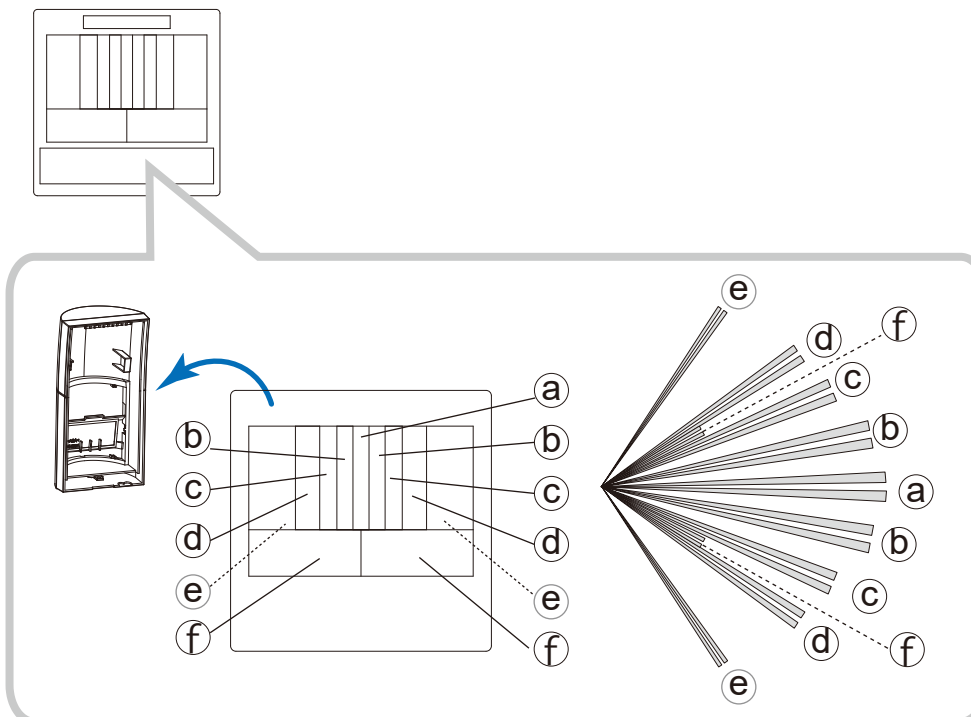
The default settings are 12.0 m (40') 120° wide.

If no masking of the detection area is required, proceed to the next item.

1 Open the PIR cover



2 Attach the area masking strips



4-5. Switch settings

Set the DIP switch 1 to 4, as necessary.

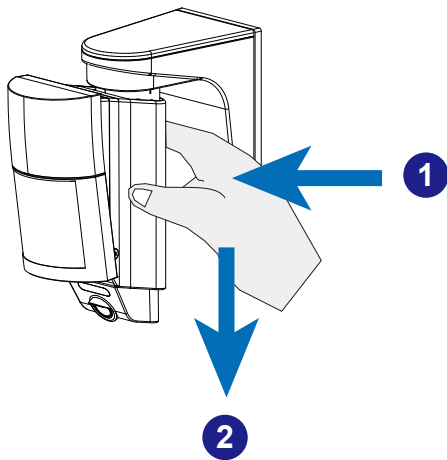
Caution

Do not move the **mirror** nor **PCB** from the factory settings as Pet alley cannot be set.

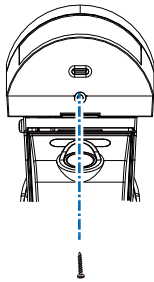
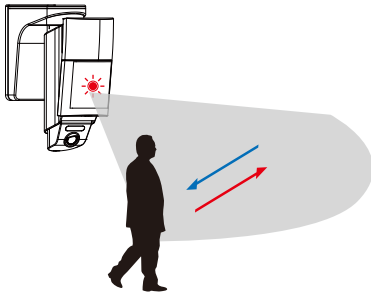
ON	OFF
N.O.	N.C. Do not change *
ON	OFF

** Alarm output must be kept to N.C.
N.O. setting may cause unstable performance.*

4-6. Put on the back cover



5-1. Walk test



- 1 Turn LED back ON, if it was turned OFF (*DIP switch No. 1*, Default ON).
- 2 Close the PIR cover.
- 3 Walk around the detection area to make sure it is set as intended.
- 4 If necessary, turn LED OFF again.
- 5 Fix the PIR cover with the cover lock screw included in the housing, after completion as necessary.

NOTE

- For the walk test, walk at least 1.0 m (3' 3") away from the detector.
- For confirmation, the LED will light up according to the alarm output for 3 minutes after the detector cover is installed again in any setting.
- Conduct a walk test at least once a year.

5-2. System check

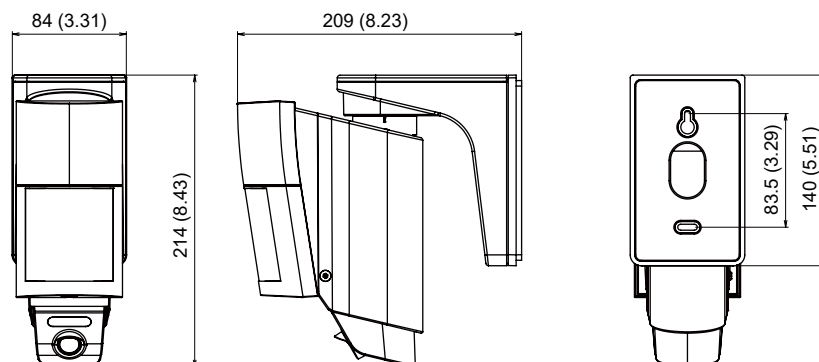
Check the image at the time of detection on the monitoring portal.

- Specifications

Model	INS-QXI-ST
Detection method	Passive infrared
PIR coverage	12.0 m (40') 120°wide
PIR zones	40 zones
Detectable speed	0.3 to 2.0 m/s (1' to 6'7"/s)
Sensitivity	2.0°C (3.6°F) at 0.6 m/s
Power input	PoE (IEEE 802.3af compliant) Mini-jack 12 V DC 420 mA max. Terminal 9.5 to 16 V DC/ 20 mA max. at 12 V DC
Alarm period	2.0 ± 0.5 s
Warm-up period	Approx. 60 s (LED blinks)
Alarm output	N.C/N.O. switchable, 28 V DC 0.1 A max.
Tamper output	N.C. 28 V DC 0.1 A max. Open when the cover is opened
LED indicator	[1] Warm-up [2] Alarm [3] Walk test end
Image sensor	1/2.8" CMOS
Viewing angle	H: 114° V: 61°
Minimum illumination	Color: 0.02 lux. 0 lux. with IR
IR illumination	Visible up to 12 m
Night vision	Day & Night Automatic/Manual switching
Image compression	H.264, H.265, MJPEG
Resolution/ frame rate	1080/ 30 fps, D1 (704 x 480 or 704 x 576)
Network protocol	IPv4: TCP/IP, UDP, RTP(UDP/TCP), RTSP, NTP, HTTP, HTTPS, SSL, DHCP, SNMPv1/v2/v3(MIB-2), ONVIF
Security	HTTPS(SSL), IP filtering, 802.1x, Digest authentication (ID/PW)
Operation temperature	-30°C to +50°C(-22°F to +122°F)
Environment humidity	95% max.
International protection	IP 54
Mounting	Wall (Outdoor, Indoor)/Gang box
Mounting height	2.2 to 2.7 m (7'3" to 8'11")
Weight	0.85kg (30.0 oz)
Accessories	[1] Mounting screw (4 x 20 mm) x 2 [2] T20 Torx wrench x 1 [3] Area masking strips x 1 [4] Waterproof cap for LAN connector x 1

- Specifications and designs are subject to change without prior notice.
- These units are designed to detect an intruder and activate an alarm control panel. Being only a part of a complete system, we cannot accept responsibility for any damages or other consequences resulting from an intrusion.

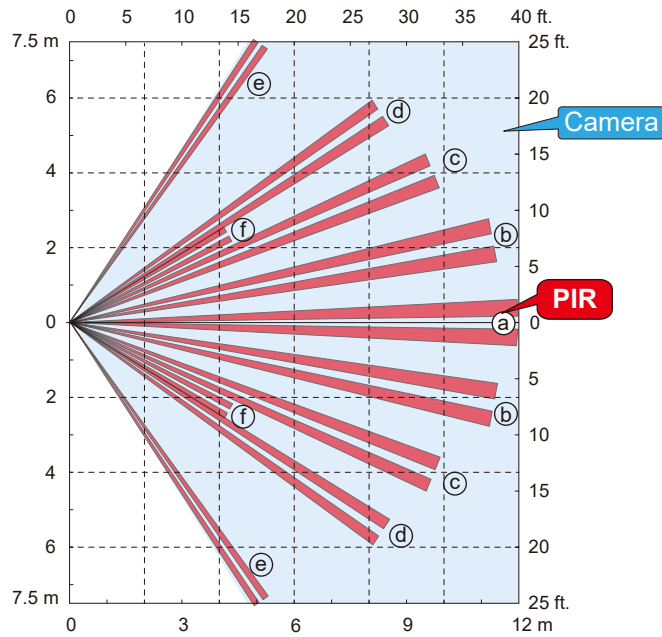
- Dimensions



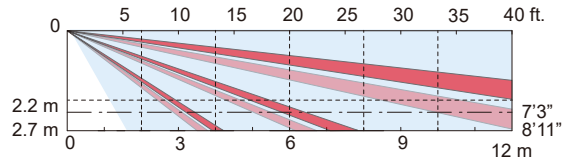
Unit: mm (inch)

- Detection area

Top view



Side view

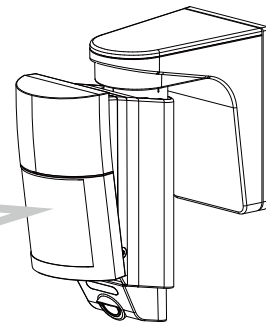
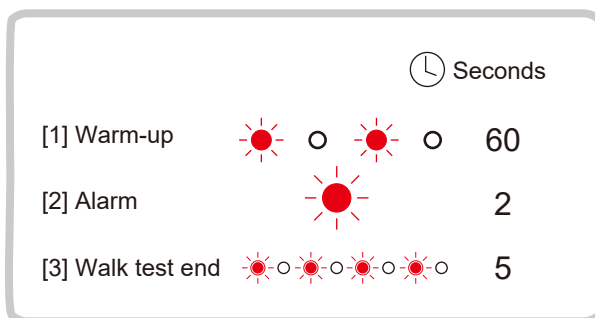


⚠ Caution

Pet alley can not be set because the camera performance is not fully exhibited.

- Do not slide the main unit of the detector.
- Do not raise the mirror of the detector.

- LED indicator



- Compliance

Personal Information

This product is equipped with the function to produce moving image of the designated area and its surrounding, but not equipped with the function to store or register such image.

Prior to the installation of this product, the compliance to local laws and regulations needs to be confirmed by the user of this product for the lawful installation and use of this product, and signage and notification when using this product. User of this product is deemed to be responsible for the compliance of any laws and regulations relating to personal information, privacy protection and rights of portrait upon use of this product. Image taken by this product is required to be treated appropriately under the responsibility of the user of this product.

Installation of this product, producing image, monitoring, recording with camera and handling of personal information or data shall all be performed under discretion and responsibility of user of this product, and OPTEX shall not be held liable for any dispute between a user and a third party.

FCC notification

This equipment has been tested and found to comply with the limits for a Class A digital device, pursuant to part 15 of the FCC Rules. These limits are designed to provide reasonable protection against harmful interference when the equipment is operated in a commercial environment.

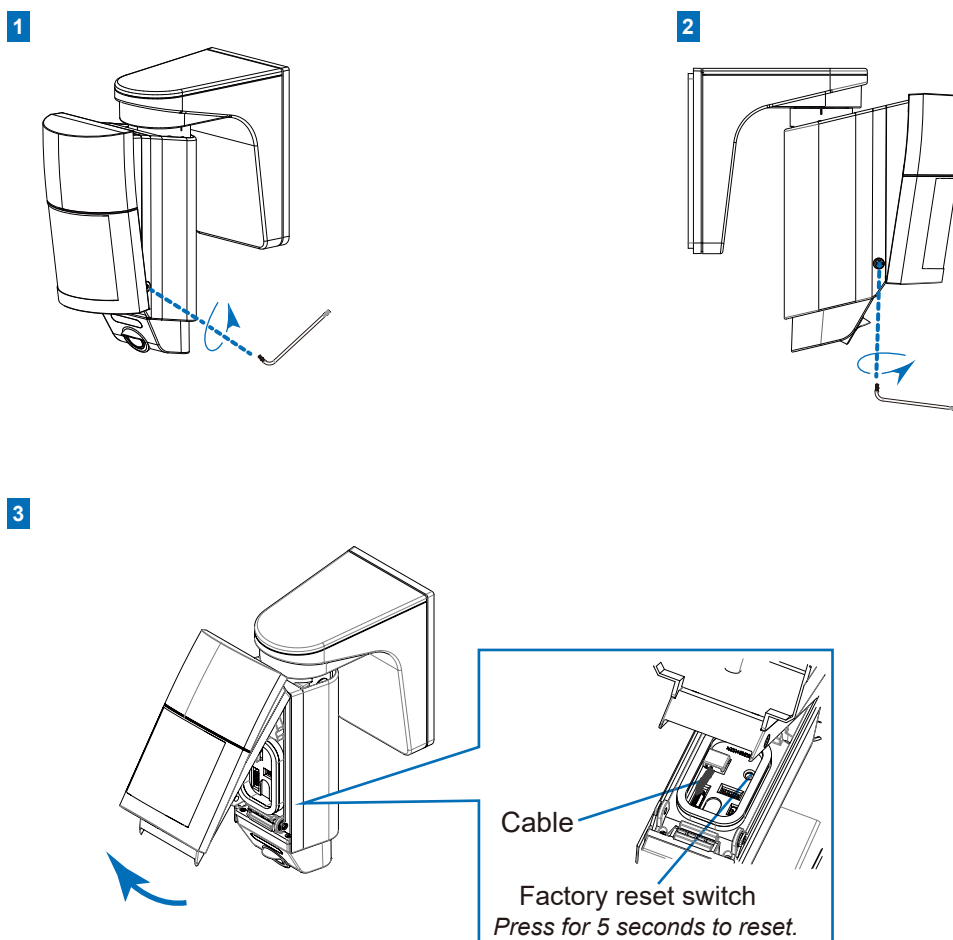
This equipment generates, uses, and can radiate radio frequency energy and, if not installed and used in accordance with the instruction manual, may cause harmful interference to radio communications. Operation of this equipment in a residential area is likely to cause harmful interference in which case the user will be required to correct the interference at his own expense.

About distribution of source code for open source software

This product includes open source software ("OSS") distributed under OSS License. In compliance with the OSS Licenses such as GPL (GNU GENERAL PUBLIC LICENSE), LGPL (GNU LESSER-GENERAL PUBLIC LICENSE), and/or others included, we are making the source code of the OSS available, at the actual cost, to our customer upon his/her request. The source code corresponding to OSS included in this product will be provided in a prescribed manner for at least than three(3) years after the date of purchase. Please note that the OSS is provided without warranty of any kind.

- How to reset to the factory default

Follow the steps below to perform a factory reset (for example, forget the password).
The IP address, ID, password and camera settings will be initialized.



Caution

Do not pinch the cable when restoring the PIR detector.

■ EU & UK contact information



<https://navi.optex.net/cert/contact/>



OPTEX CO., LTD. (JAPAN)
www.optex.net

OPTEX INC./AMERICAS HQ (U.S.)
www.optexamerica.com

OPTEX SECURITY SAS (France)
www.optex-europe.com/fr

OPTEX KOREA CO.,LTD. (Korea)
www.optexkorea.com

OPTEX (EUROPE) LTD./EMEA HQ (U.K.)
www.optex-europe.com

OPTEX SECURITY Sp.z o.o. (Poland)
www.optex-europe.com/pl

OPTEX (DONGGUAN) CO.,LTD. SHANGHAI OFFICE (China)
www.optexchina.com

OPTEX SECURITY B.V. (The Netherlands)
www.optex-europe.com/nl

OPTEX PINNACLE INDIA, PVT., LTD. (India)
www.optexpinnacle.com

OPTEX (Thailand) CO., LTD. (Thailand)
www.optex.co.th

Copyright (C) 2021-2022 OPTEX CO.,LTD.