

# INSTALLATION MANUAL – Indoor/Outdoor Corner Mount Bracket

## Unpacking

Unpack carefully. This is mechanical equipment and should be handled with care. If an item appears to have been damaged in shipment, replace it properly in its carton and notify the shipper. If any items are missing, notify the vendor. The shipping carton is the safest container in which the unit may be transported. Save it for possible future use.

## Service

If the unit ever needs repair service, the customer should contact the vendor for a return materials authorization (RMA) and shipping instructions.

## Care and Maintenance

Perform routine maintenance to keep the unit dust free.

## Model Designation

2020-CMB Indoor/Outdoor Corner Mount Bracket

## Description

2020-CMB- is a corner mount bracket used to secure 2020WMA wall mount arm. The bracket is designed to provide easy and secure installation on corner surfaces. Mounting hardware included.

## Certification

Scanner installation should be performed by a licensed professional and conform to the National Electrical Code (NEC) and any applicable local codes.

## Installation

1. Hold corner mount bracket up to installation surface; use mount holes as a template to mark hole locations.
2. Drill appropriate size hole for fasteners; each fastener should have a 300-lbs pull-out strength.
3. Run cables and/or conduit through mount leaving enough slack to run cable through mount to RLS-2020
4. Attach mount to wall using fasteners appropriate for the installation surface. Ensure each fastener has a minimum 300-lbs pull-out strength.
5. See instructions included with the 2020 WMA attaching wall arm to corner bracket.

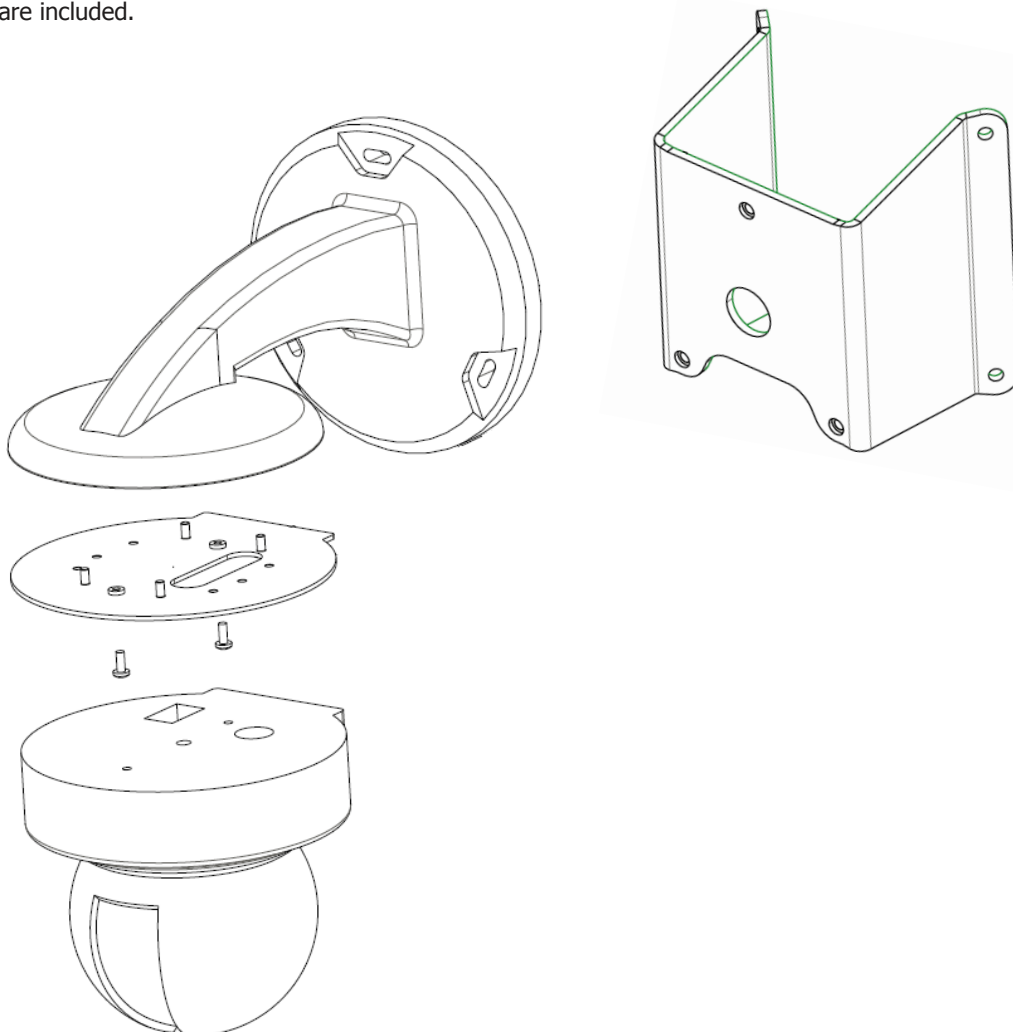


Fig. 1 2020CMB shown with the 2020WMA