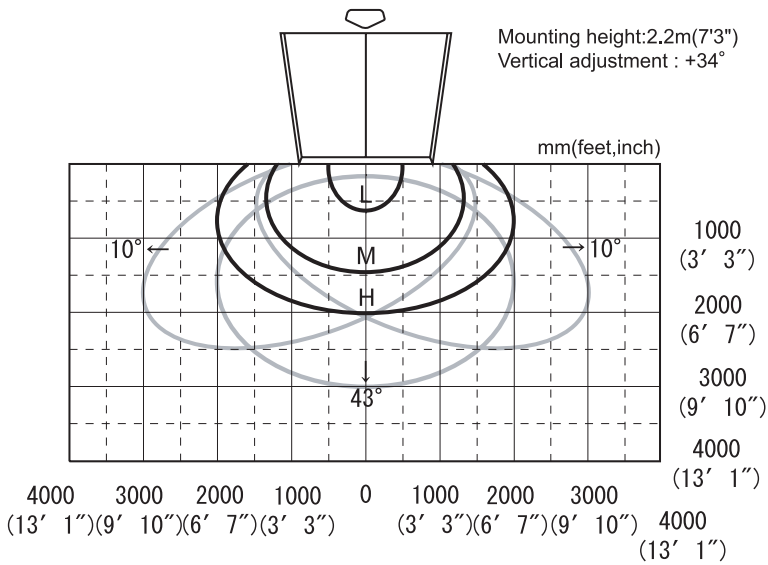
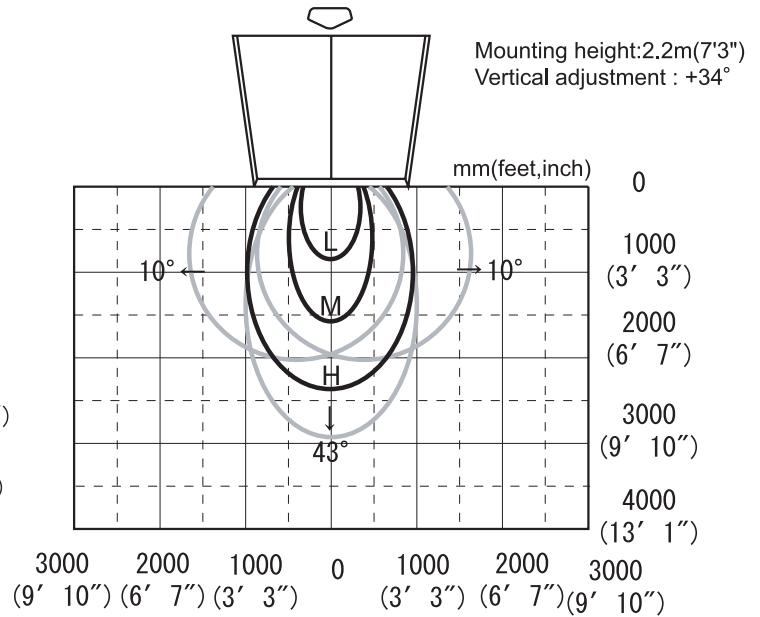


Wide area



Narrow area



Unit:mm(ft, inch)

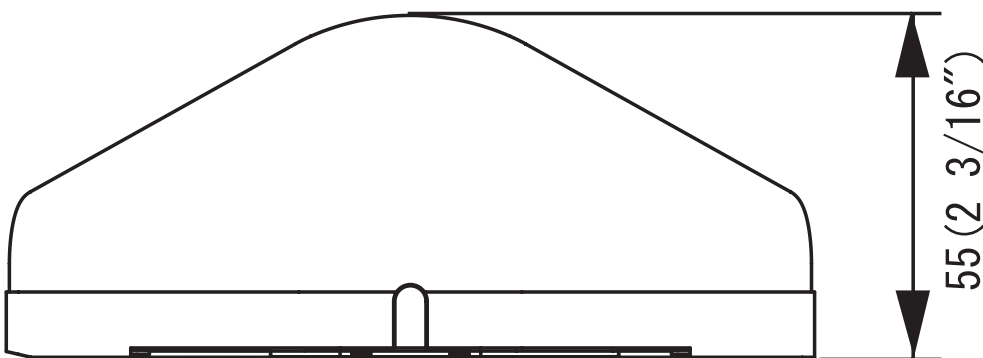
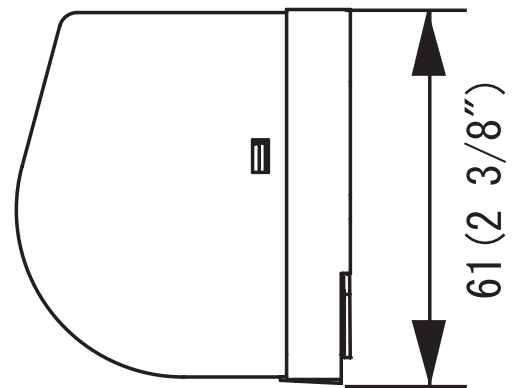
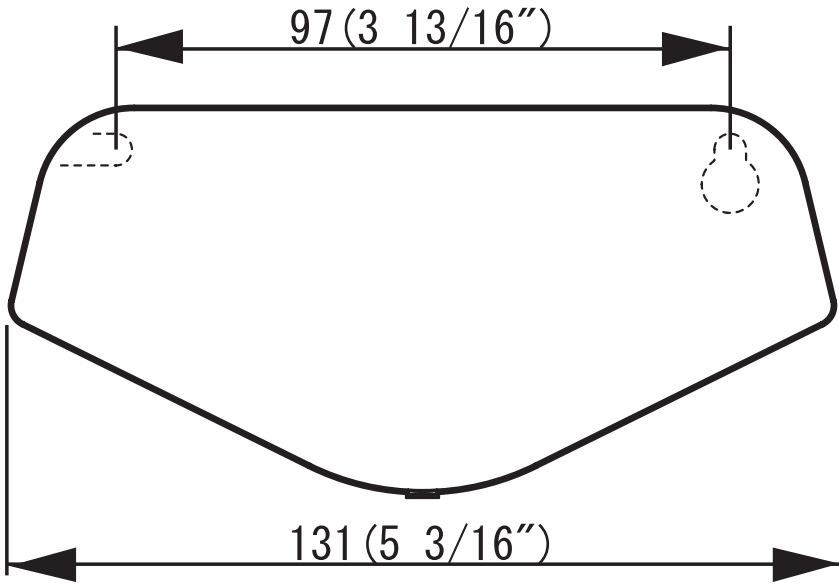
Sensitivity Potentiometer	WIDE AREA		NARROW AREA	
	Width	Depth	Width	Depth
High	4.0m (13' 2")	2.0m (6' 7")	2.0m (6' 7")	2.3m (7' 7")
Mid	2.6m (8' 6")	1.5m (4' 11")	1.0m (3' 3")	1.6m (5' 3")
Low	2.0m (6' 7")	0.6m (1' 12")	0.6m (1' 12")	0.8m (2' 7")

*The values are the reference and not guaranteed.

*The area position may differ according to the size / material / entry speed of object and the installation environment. (Especially, when the material of door, floor and surrounding wall is metallic, the area may be bigger.)

Model	: OM-105C / 106C
Cover color	: Silver / Black
Mounting height	: 2.0 (6'7") to 3.5m (11'5")
Detection method	: Microwave doppler effect
Power frequency	: 24.125GHz
Power density	: <20dBm
Detection area	: See Detection area
Vertical adjustment	: +10° to +70° (Header mount) +20° to +80° (Ceiling mount)
Horizontal adjustment	: 30° to left or right
Power supply	: 12 to 24VAC(±10%) 12 to 30VDC(±10%)
Power consumption	: < 1.5W(<2VA at AC)
Minimum speed	: 5cm(1 15/16")/sec.
Operation indicator	: Green / Stand-by Red / Detection Green blinking / Set-up
Output	: Form C relay 50V 0.3A Max.(Resistance load)
Output hold time	: 0.5sec. / 2.0sec.
Response time	: <0.3 sec.
Operating humidity	: <80%
Operating temperature	: -20°C to +55°C(-4°F to 131°F)
IP rate	: IP54
Weight	: 140g (4.9oz)
Accessories	: 1 Cable 3m (9'10") 1 Operation manual 2 Mounting screws 1 Mounting template 1 Narrow lens*

* At the back of housing cover



Unit:mm (inch)