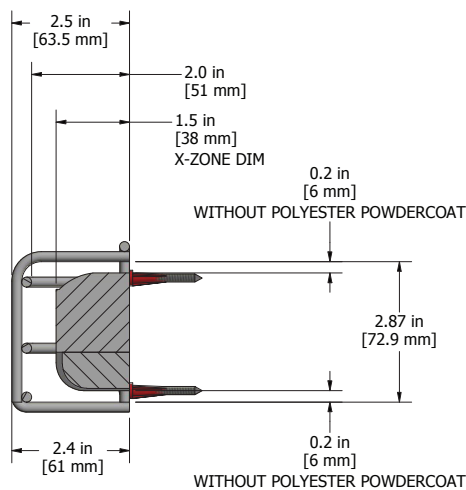
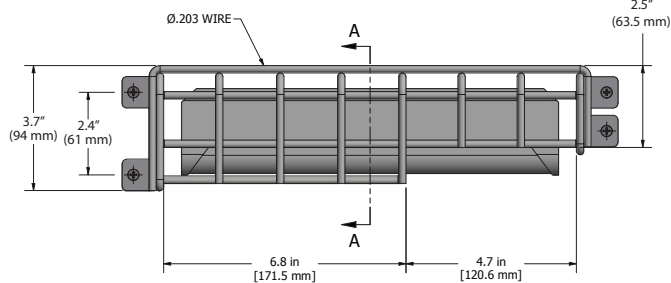


X-ZoneT HD Protector

Providing protection for the X-ZoneT Sensor



Dimensions are to centerline of wire (except for outer dimensions)

The X-ZoneT HD Protector is a sturdy cage custom-designed to provide protection for the OTEX X-ZoneT combination slide door sensor. Mount the steel cage over the sensor as described in the X-ZoneT HD Protector Quick Setup Guide for maximum protection.

Includes:

4 welded mounting brackets

4 screws

4 anchors

Material: Hard drawn steel wire 1008/1010

Thickness: 6 gage (.203 Dia.)

WELD ALL WIRE INTERSECTIONS

Finish-Product Class-Polyester Powder Coating

Product color: black

HMIS Code-010E

Non-carcinogenic



18730 S. Wilmington Ave, Unit 100
Rancho Dominguez, CA 90220
Ph 800 877-6656
Fax 310 898-1098
www.optex-vs.com

OTEX Inc.
(East Coast Office)
8510 McAlpine Park Dr.
Suite 108
Charlotte, NC 28211