

CHeKT AI IP Camera Series



CKIPAI5MP-D-MR



5MP IR Dome AI IP Camera

- 30fps at 5MP
- H.265, H.264 & MJPEG compression
- Embedded CHeKT AI video technology
- Deep learning - object detection classification
- SMART bitrate control & region of interest
- Remote zoom & focus lens (auto-focus)

CKIPAI5MP-T-MCA



5MP Flashlight Full Color Turret AI IP Camera

- 30fps at 5MP
- H.265, H.264 & MJPEG compression
- Embedded CHeKT AI video technology
- Deep learning - object detection classification
- 24/7 full color with warm white LED
- Flashlight / siren / audio for event notification

CKIPAI5MP-CB-FR



5MP IR Compact Bullet AI IP Camera 4mm lens

- 30fps at 5MP
- H.265, H.264 & MJPEG compression
- Embedded CHeKT AI video technology
- Deep learning - object detection classification
- SMART bitrate control & region of interest
- Power over Ethernet (IEEE 802.3af)

CKIPAI5MP-B-MR



5MP IR Bullet AI IP Camera 2.7 - 13.5mm lens

- 30fps at 5MP
- H.265, H.264 & MJPEG compression
- Embedded CHeKT AI video technology
- Deep learning - object detection classification
- SMART bitrate control & region of interest
- Remote zoom and focus lens (auto-focus)

CKIPAI5MP-DL-TH-FR



Dual Thermal AI IP Camera

- Visible: 5MP, Thermal: 640 x 480 (upscaling)
- H.265, H.264 & MJPEG compression
- Embedded CHeKT AI video technology
- Deep learning - object detection classification
- SMART bitrate control & region of interest
- AI object detection: Visible or thermal lens

AI-enabled CHeKT IP Camera Series

Track Your Security Events in Real-time

The new line of AI IP cameras from CHeKT feature advanced AI tracking algorithms, a rich library of detection behaviors, and offer deep learning features that enable the cameras to learn and identify the objects detected and offer true human and vehicle type identification, to remove any false objects that might trigger detections. The AI cameras are also able to learn and identify behaviors of the objects being detected to ensure significantly reduced false alarms and increase operator awareness.

Product Features

AI Analytics Engine



CHeKT's advanced tracking algorithm with a rich library of detection behaviors

Central Station Integration



AI video alarm signal transmission when using the OPTEX Video Bridge

Deep Learning Object



Deep learning based object identification (as Person, Cyclist, Car, Van, Truck, Motorcycle, Bicycle, Bag) removes false object detection

Detection Zones / Rules



40 rules & zones (Multi-segment Polygons & Lines) as standard

Detection Behavior



Enter, Exit, Appear, Direction, Dwell filter, Tailgating, Area Line Detection

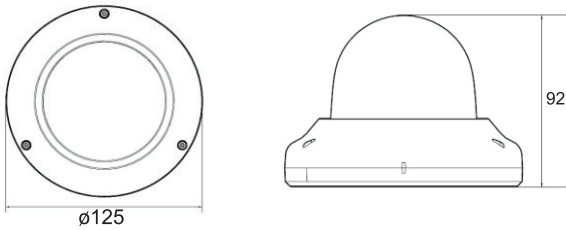
Deep Learning People



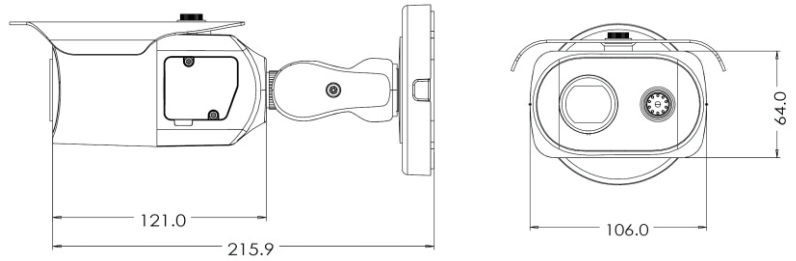
Deep learning based on people identification and tracking

Dimensions

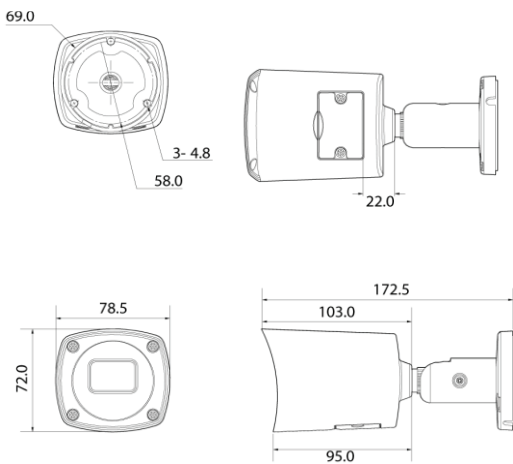
CKIPAi5MP-D-MR



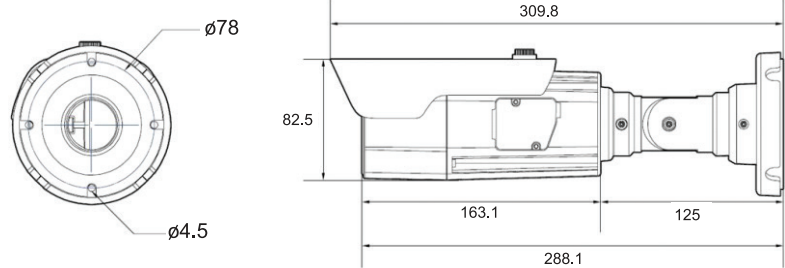
CKIPAi5MP-DL-TH-FR



CKIPAi5MP-CB-FR



CKIPAi5MP-B-MR



CKIPAi5MP-T-MCA

